

300.2  
POWER SUPPLY  
PAGE 2 OF 2  
2-20-94

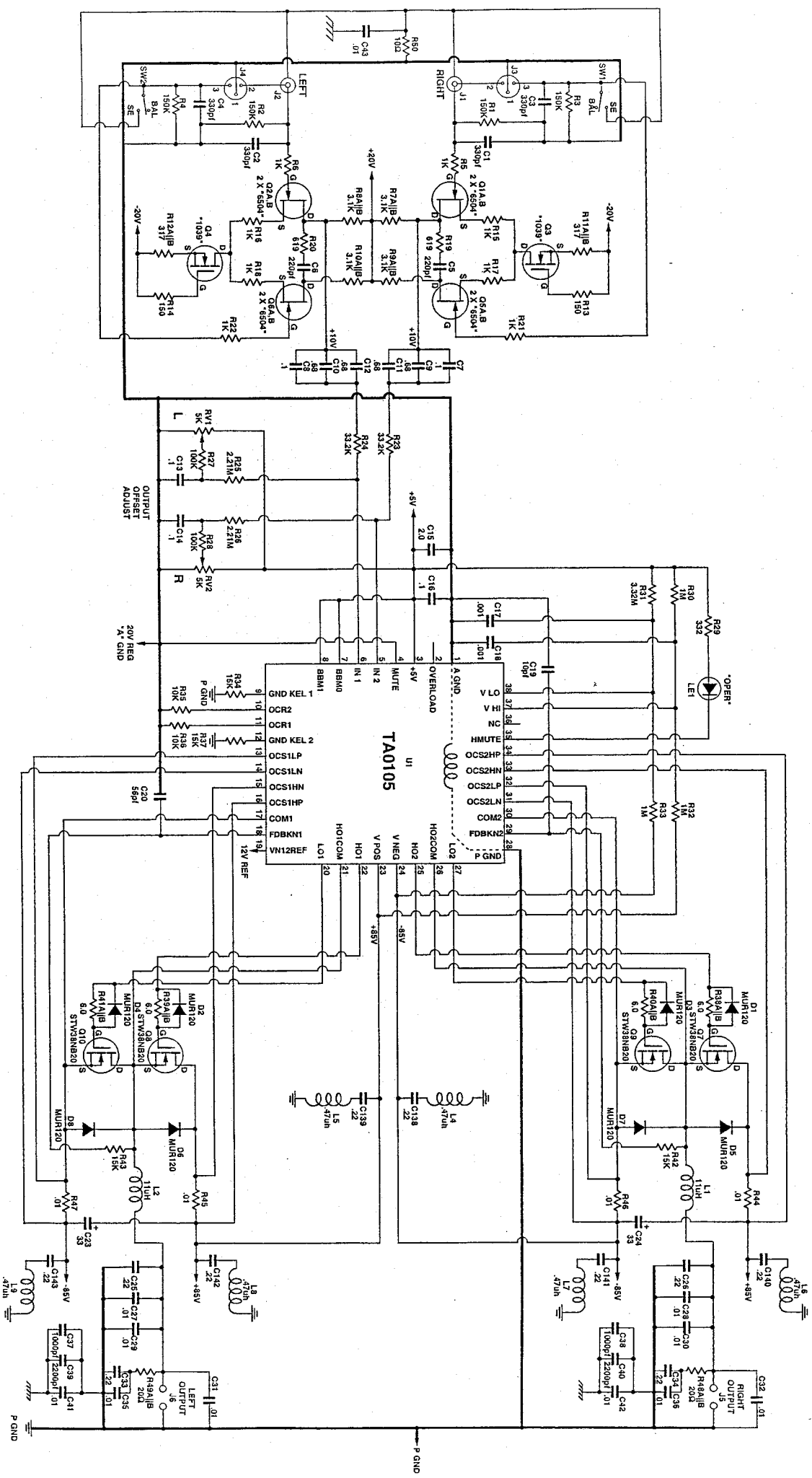
AUDIO RESEARCH CORPORATION  
3900 ANNAPOLIS LANE NORTH  
PLYMOUTH, MN 55447-5447

PROPRIETARY NOTICE: THIS DRAWING CONTAINS PATENTED  
INFORMATION. ANY REPRODUCTION OR OTHER UNAUTHORIZED  
DISSEMINATION OF THIS INFORMATION IS STRICTLY PROHIBITED.  
REPRODUCTION OF THIS INFORMATION IS STRICTLY PROHIBITED  
WITHOUT THE WRITTEN PERMISSION OF AUDIO RESEARCH CORPORATION AND IS  
CONSIDERED UNLAWFUL UNDER FEDERAL AND STATE LAWS.

300.2  
REV 5  
AUDIO  
PAGE # OF #  
8341

AUDIO RESEARCH CORPORATION  
3300 AMHURST LANE NORTH  
PLUMOUTH, MINNESOTA 55447

PROPRIETARY NOTICE: THIS DRAWING CONTAINS PATENTED  
DESIGN INFORMATION AND IS THE PROPERTY OF AUDIO RESEARCH CORPORATION AND IS  
NOT TO BE REPRODUCED OR TRANSMITTED IN ANY FORM OR BY ANY  
MEANS, ELECTRONIC OR MECHANICAL, INCLUDING PHOTOCOPYING,  
RECORDING, OR BY ANY INFORMATION STORAGE AND RETRIEVAL  
SYSTEMS, WITHOUT PERMISSION IN WRITING FROM AUDIO RESEARCH  
CORPORATION.



## PARTS LIST

As of FEB 23 04

PRODUCT: 300.2

NOTES:

Schematic Symbol	Quantity	ARC Part #	Description
BR			BRIDGE RECTIFIER
BR1	1	30501930	BRIDGE RECTIFIER, 36MB20A
C			CAPACITORS
C1-4	4	53330201	CAP., 330pf $\pm$ 2.5% 630V PPN
C5,6	2	53220201	CAP., 220pf $\pm$ 2.5% 630V PPN
C7,8,85-92	10	53100507	CAP., 0.1 $\mu$ F $\pm$ 10% 630V
C9-12	4	53680507	CAP., .68 $\mu$ F 425V (M2A) INFINI
C13,14,16,93-100,105,134,135	14	53100510	CAP., 0.1uf 100V MKP2
C15,77-84,137	10	53200603	CAP., 2 $\mu$ F $\pm$ 10% 250V
C17,18,37,38	4	52100301	CAP., 1000pf 200V $\pm$ 10% CER RAD
C19	1	53100101	CAP., 10pf $\pm$ 1pf 630V PPN
C20	1	53560103	CAP., 56pf $\pm$ 2.5% 630V PPN
C21,22,109	3	53100506	CAP., 0.1 $\mu$ F $\pm$ 10% 160V
C23,24	2	50330702	CAP,33UF 160V HF
C25,26,33,34,103,104,108,111,113,119	15	53220507	CAP., .22 $\mu$ F $\pm$ 10% 160V
C 120,122,130,132,133			
C27-30,25,36,41-43,107,112,114,115	20	53100410	CAP., .01uf $\pm$ 10% 400V
C 118,121,123,124,136,31,32			
C39,40	2	52220300	CAP., 2200pf 200V $\pm$ 10%
C44	1	50220903	CAP., 2200 $\mu$ F 35V ELECTROLYTIC
C45-48	4	53470404	CAP., .047 $\mu$ F $\pm$ 20% 250V
C49-68	20	50680900	CAP., 6800 $\mu$ F 100V
C69-76,127	9	50470705	CAP,47UF 100V MUSE
C101,102,129,131	4	50470704	CAP., 47 $\mu$ F "MUSE"
C106,117	2	53100412	CAP., .01 $\mu$ F $\pm$ 10% 600V RTX
C110	1	53270101	CAP., 27pf $\pm$ 1pf 630V PNP
C116,125	2	53100609	CAP., 1.0 $\mu$ F $\pm$ 10% 200V PPMF
C126	1	50220801	CAP., 220 $\mu$ F 50V
C128	1	53100303	CAP., 1000pf $\pm$ 10% 100V
D			DIODES
D1-8,19	9	30506100	DIODE,MUR120 FAST
D9-18	10	30500400	IN4005
F			FUSES
F1	1	34501014	(B)FUSE, 10 AMP MDA BUSSMANN
FL			LINE FILTERS
FL1	1	59000020	LINE FILTER, 150.2
J			CONNECTORS
J1	1	23201509	JACK, CHASSIS RED
J2	1	23201510	JACK, CHASSIS WHITE
J3,4	2	23201990	CONNECTOR, XLR FEM. #NC3FD-H-B
J5,6	2	23106320	POST, BINDING ASSBLY D130
J7,8	2	23202900	JACK, MINI PHONE .140"

## PARTS LIST

As of FEB 23 04

PRODUCT: 300.2

NOTES:

Schematic Symbol	Quantity	ARC Part #	Description
L INDUCTORS			
L1,2	2	61000250	(B)CHOKE ASSY 11UH LITZ
L3	1	61000260	CHOKE,330UH 0.5A
LE PANEL INDICATOR			
LE1	1	34300320	L.E.D., GREEN SPOT L424GDT
Q TRANSISTORS			
Q1A,1B,2A,2B,5A,5B,6A,6B	8	30006504	FET, WHITE YELLOW
Q3,4	2	30011017	FET, GREEN/WHITE/VIOLET
Q7-10	4	30012000	FET,STW38NB20
Q11,13	2	30011039	FET, GREEN-ORANGE-WHITE
Q12	1	30006765	FET, ORANGE-YELLOW-GREEN
Q14	1	30009005	FET, GREEN-GRAY
R RESISTORS			
R1-4	4	42150503	RES., 150K $\Omega$ MK-3 1% 50PPM
R5,6,21,22	4	42100303	RES., 1K $\Omega$ MK-3 1% 50PPM
R7A,B,8A,B,9A,B,10A,B,63,74	10	42619303	RES., 6.19K $\Omega$ MK-3 1% 50 PPM
R11A,12A	2	42357203	RES., 357 $\Omega$ MK-3 1% 50PPM
R11B,12B	2	42127303	RES., 1.27K $\Omega$ MK-3 1% 50PPM
R13,14,53,56,67,70	6	42150202	RES., 150 $\Omega$ MK-2 1% 50PPM
R15-18	4	42100313	RES., 1K $\Omega$ MK-4 1% PPM
R19,20	2	42619203	RES., 619 $\Omega$ MK-3 1% 50PPM
R23,24	2	49332413	RES., 33.2K CADDOCK
R25,26	2	42221603	RES., 2.21 MEG MK-3 1% 50PPM
R27,28	2	42100503	RES., 100K $\Omega$ MK-3 1% 50PPM
R29	1	42332202	RES., 332 $\Omega$ MK-2 1% 50PPM
R30,32,33	3	42100603	RES., 1 MEG MK-3 1% 50PPM
R31	1	42332603	RES., 3.32 MEG MK-3 1% 50PPM
R34,37,42,43	4	42150414	RES., 15K $\Omega$ MK-5 1% 50PPM
R35,36	2	42150403	RES., 15K $\Omega$ MK-3 1% 50PPM
R38A,39A,40A,41A,50,82	6	42100103	RES., 10 $\Omega$ MK-3 1% 50PPM
R38B,39B,40B,41B	4	42150103	RES., 15 $\Omega$ MK-3 1% 50PPM
R44-47	4	43010001	RES.,01 $\Omega$ 1% 3W
R48A,48B,49A,49B	4	43400104	RES,40 $\Omega$ 5% 3W WW
R51	1	42267203	RES., 267 $\Omega$ MK-3 1% 50PPM
R52	1	42825203	RES., 825 $\Omega$ MK-3 1% 50PPM
R54,58	2	42127403	RES., 12.7K $\Omega$ MK-3 1% 50PPM
R55A,55B,69A,69B	4	42200205	RES., 200 $\Omega$ MK8 1% 50PPM
R57,71	2	42392403	RES., 39.2K $\Omega$ MK-3 1% 50PPM
R58	1	42100203	RES., 100 $\Omega$ MK-3 1% 50PPM
R59,60,72	3	42100403	RES., 10K $\Omega$ MK-3 1% 50PPM
R61,73	2	42150303	RES., 1.50K $\Omega$ MK-3 1% 50PPM
R62A,62B,75A,75B	4	42274403	RES., 27.4K $\Omega$ MK-3 1% 50PPM
R64,76	2	42332203	RES., 332 $\Omega$ MK-3 1% 50PPM
R65,66,77	3	43100002	RES., 1 $\Omega$ 2W 5% W.W.
R78	1	42100302	RES., 1K $\Omega$ MK-2 1% 50 PPM
R79	1	42118403	RES., 11.8K $\Omega$ MK-3 1% 50PPM
R80	1	42261203	RES., 261 $\Omega$ MK3 1% 50 PPM
R81	1	42221303	RES., 2.21K $\Omega$ MK-3 1% 50PPM

## PARTS LIST

As of FEB 23 04

PRODUCT: 300.2

NOTES:

Schematic Symbol	Quantity	ARC Part #	Description
			RV CONTROLS
RV1,2	2	45500303	POT., 5K $\Omega$ TRIM VERT. 25 TURN
			RY RELAYS
RY1	1	64102000	RELAY, 12V 14A
			SW SWITCHES
SW1,2	2	24101510	SWITCH, TOGGLE NON-THREADED
SW3	1	24102210	SWITCH, ROCKER
			T TRANSFORMERS
T1	1	60020114	XFR, POWER 300.2
			U INTEGRATED CIRCUITS
U1	1	31009400	IC MODULE, TA0105A
U2,6	2	31004000	REGULATOR, VOLTAGE ADJ POS.
U3,4	2	31002230	OPA134
U5	1	31009500	IC, LM2594HVN-ADJ
			ZD ZENER DIODES
ZD1,6	2	30504400	1N5240B
ZD2,7	2	30504900	ZENER, 11V BZX55C11
ZD3,8	2	30502100	1N5234B
ZD4,5,9,10	4	31000705	FET, GREEN